



David Clark COMPANY
INCORPORATED

360 Franklin Street, Box 15054, Worcester, MA 01615-0054
TEL. (508) 751-5800 E-Mail sales@DavidClark.com FAX: (508) 753-5827

INTERFACING AND OPERATING INSTRUCTIONS FOR THE U9810BS BODY SWITCH P/N 40895G-03

The U9810BS Body Switch interfaces a H9800-series headset with the David Clark Series 9800 Marine Intercom System and can be clipped to the user's belt or clothing to provide radio PTT capability wherever the user might be. A 15 ft. extended coil cord connects the body switch to the 9800 System Cable.

Note: Use of the U9810BS Body Switch is restricted to the Captain and Co-Captain positions, as the Passenger positions do not have radio transmit access.

Connecting the U9810BS Body Switch

1. Align arrows on headset connector and top of U9810BS Body Switch.
2. Push together until they lock into place.
3. Repeat this procedure to connect the U9800 Body Switch coil cord to the 9800 System Cable.

Disconnecting the U9810BS Body Switch

1. Gently pull apart and connectors will disengage.
2. Do NOT twist these connectors, push or pull only.

Using the U9810BS Body Switch

1. Attach the U9810BS Body Switch to the user's belt or somewhere it may be easily accessed.
2. To transmit over the radio selected on the Panel Display, depress the front of the Body Switch until a click is felt/heard.
3. Release the switch to end transmission.

For a picture and schematic of the U9810BS, please see Figures 1 & 2, respectively.

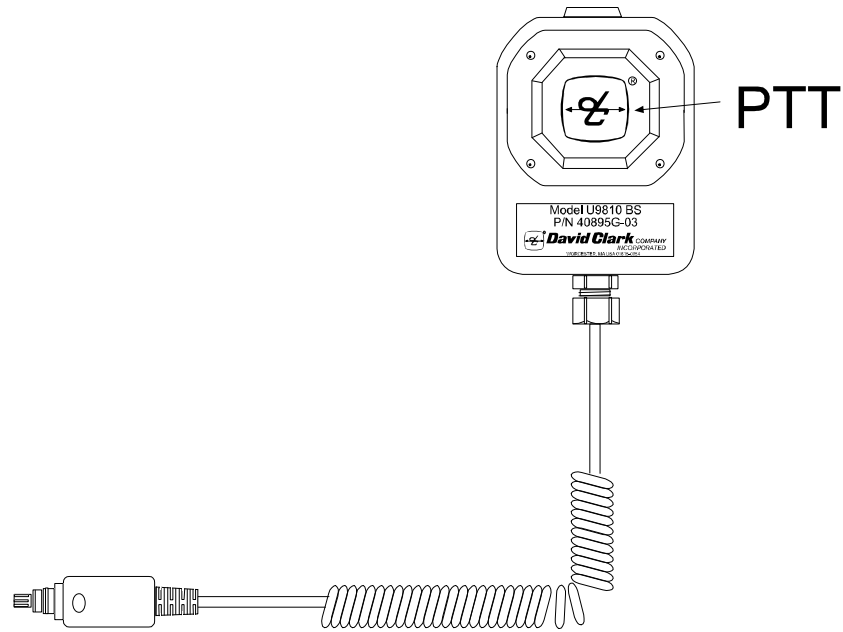


Fig. 1 U9810BS Body Switch

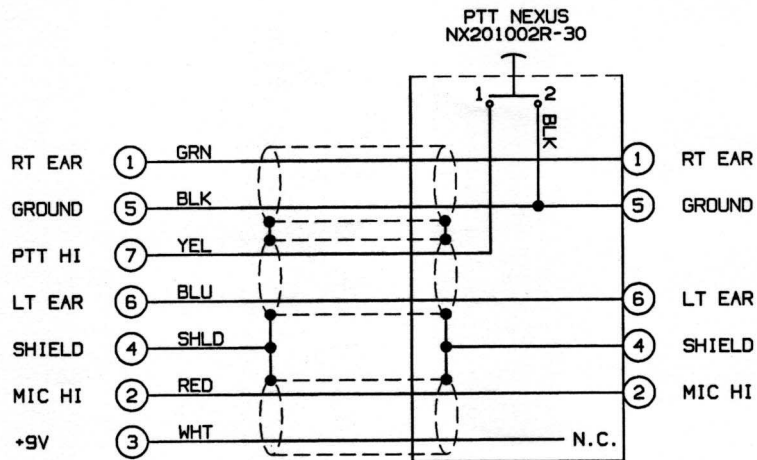


Fig. 2 U9810BS Body Switch Schematic